



HSSP3 ~ 10K



Reliable

- Fanless design, low noise
- Built-in surge arrester & RCD



Simple

- Plug and play installation
- Smart LED indicators
- Easy commissioning via APP



Efficient

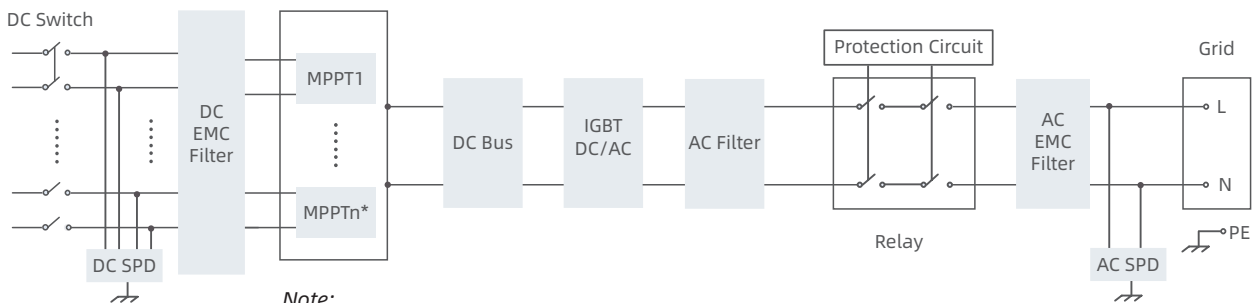
- 20A PV input, perfectly adapt to 210mm panels
- High DC/AC ratio up to 1.5
- 110% AC overloading



Intelligent

- Remote firmware updates
- Visualization of yield & carbon reduction
- 64 types fault alarms
- String intelligent monitoring

Topological Graph



Note:
 $n^* = 1$: HSSP3K, HSSP4K; $n^* = 2$: HSSP5 ~ 10K.



Technical Parameters

Model	HSSP3K	HSSP4K	HSSP5K	HSSP6K	HSSP8K	HSSP10K
DC Input						
Recommended Max. Input Power	4.5kWp	6kWp	7.5kWp	9kWp	12kWp	15kWp
Max. Input Voltage	600V					
Starting Voltage	55V					
MPPT Voltage Range	55 ~ 550V					
MPPT Range Full Load	170 ~ 520V	210 ~ 520V	200 ~ 520V	235 ~ 520V	210 ~ 520V	260 ~ 520V
Max. Input Current Per MPPT	20A	22A	20A / 20A		20A / 26A	
Max. Short-circuit Current	30A	33A	30A / 30A		30A / 39A	
Number of DC Inputs	1	2	1/1		1/2	
Number of MPP Trackers	1		2			
AC Output						
Rated Output Power	3kW	4kW	5kW	6kW	8kW	10kW
Max. Output Power	3.3kW	4.4kW	5.5kW	6.6kW	8.8kW	11kW
Rated Output Voltage	220V / 230V (L + N + PE)					
Operating Voltage Range	165 ~ 275V					
Rated Output Current	13.6A/13.0A	18.2A/17.4A	22.7A/21.7A	27.3A/26.1A	36.4A/34.8A	45.5A/43.5A
Max. Output Current	15A	20A	25A	30A	40A	50A
Rated Grid Frequency	50Hz / 60Hz					
Power Factor	>0.99 (0.8 leading ~ 0.8 lagging)					
Harmonic (THD)	<0.3 (at rated power)					
Efficiency						
Max. Efficiency	97.80%					
European Efficiency	97.50%					
Protection						
Surge Protection	DC type II / AC type II					
Insulation Impedance Detection	Yes					
Residual Leakage Current Detection	Yes					
PV String Fault Detection	Yes					
PV Reverse Polarity Protection	Yes					
Anti-Islanding Protection	Yes					
Output Overcurrent Protection	Yes					
DC Switch	Yes					
Zero Export Function	Yes					
General Parameters						
Dimensions (W*H*D)	403*353*146mm				462*403*153mm	
Weight	≤10Kg		≤12Kg		≤14Kg	
Protection Degree	IP65					
Operating Temperature Range	-25 ~ +60°C					
Cooling System	Natural cooling					
Standby Power Consumption	<1W					
Topology	Transformerless					
Operating Altitude	4000m (>3000m derating)					
Display	LED, WLAN + APP					
Communication	RS485 / Wi-Fi					
DC Connection Type	MC4					
AC Connection Type	Plug-in connector					